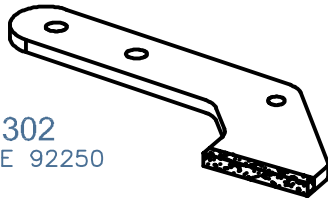
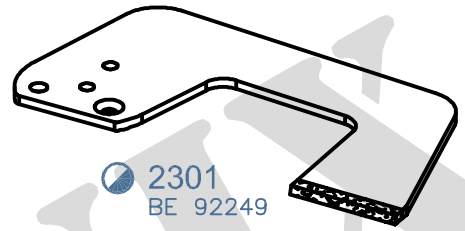


2300 - AIRTRONIC (WEFT)

● 2302
BE 92250



● 2301
BE 92249



2310 - (SELVEDGE RH & LH)

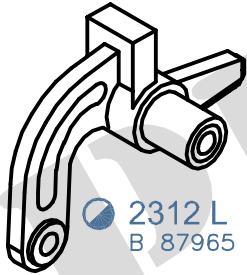
● 2311 L
B 82916



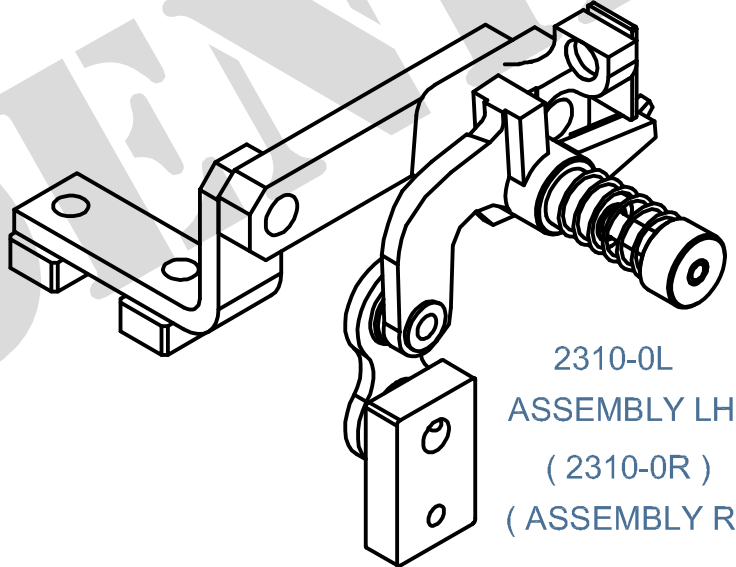
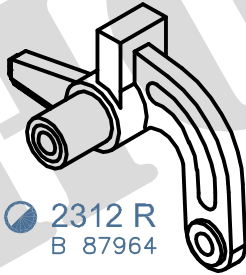
● 2311 R
B 82915



● 2312 L
B 87965



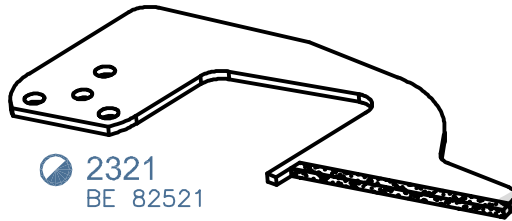
● 2312 R
B 87964



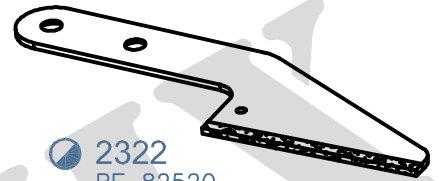
2310-0L
ASSEMBLY LH
(2310-0R)
(ASSEMBLY RH)

2320- PAT A (WEFT)

● 2321
BE 82521

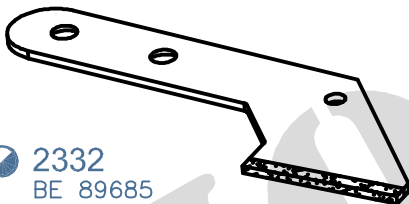


● 2322
BE 82520

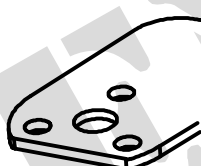


2330- PAT A / PAT W (WEFT)

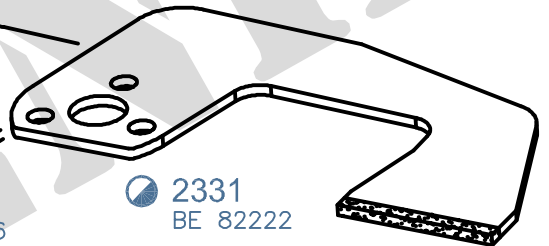
● 2332
BE 89685



● 2333
BE 89686

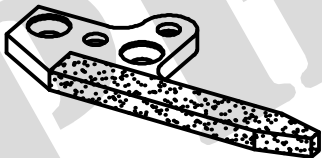


● 2331
BE 82222

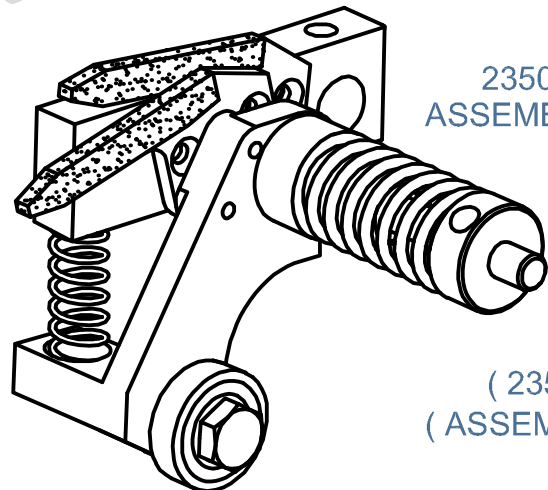
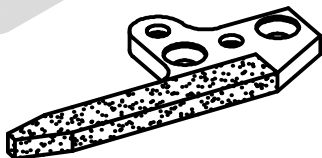


2350 - (SELVEDGE RH & LH)

● 2353 R
B 151062
1260064



● 2353 L
B 151063
1260065



2350-0R
ASSEMBLY RH

(2350-0L)
(ASSEMBLY LH)

MATERIAL CODE : ● SOLID CARBIDE , ○ HSS , ◐ BRAZED CARBIDE , ⊙ TIN COATED